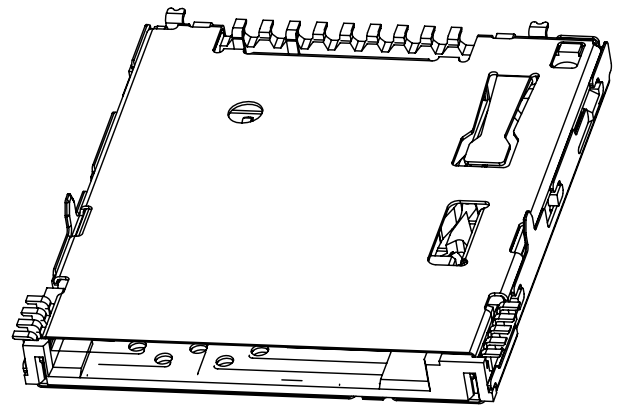
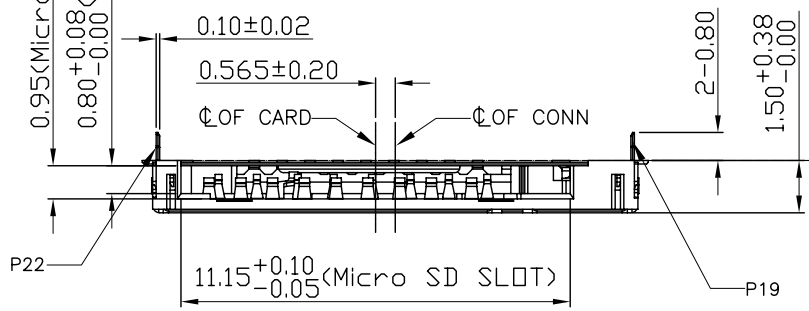
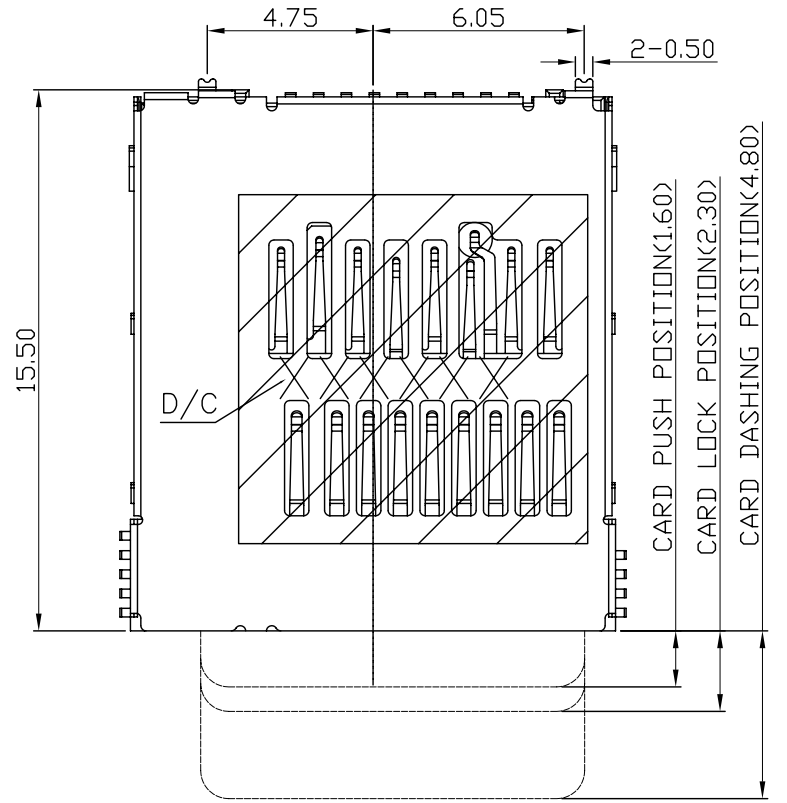
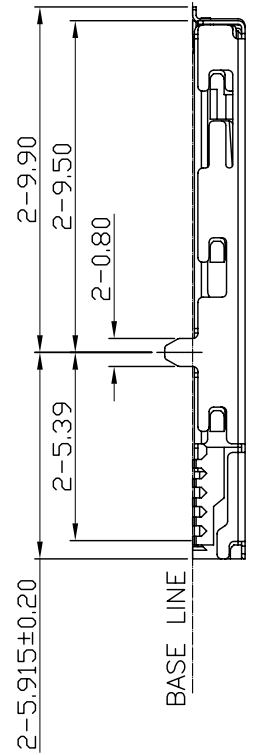
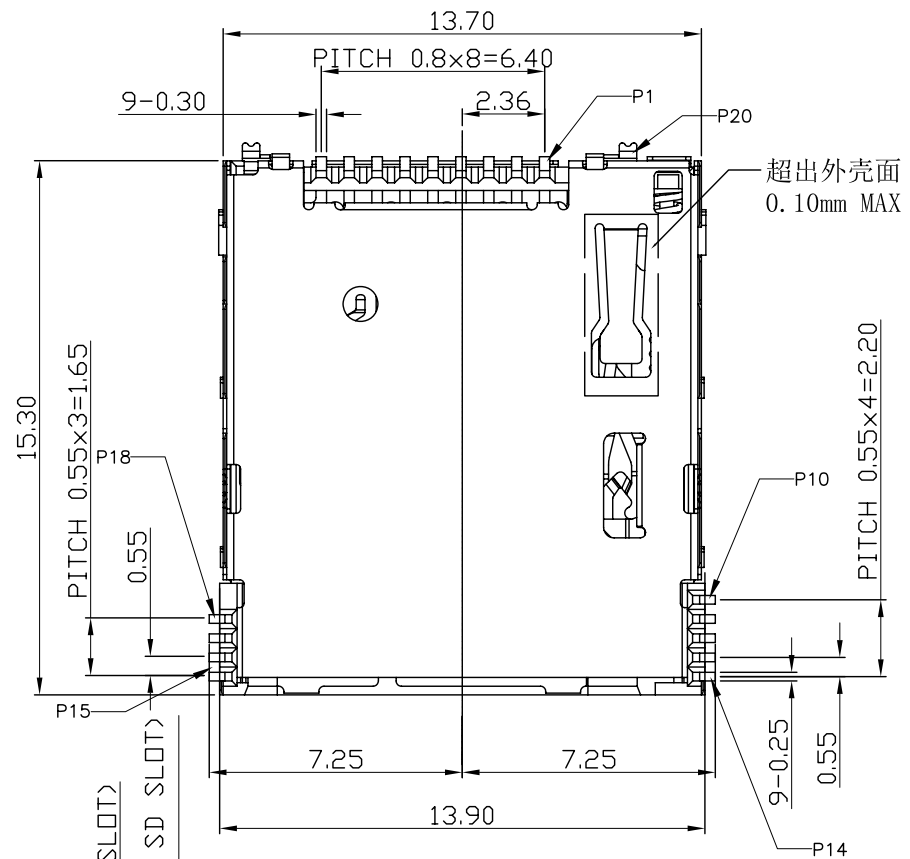
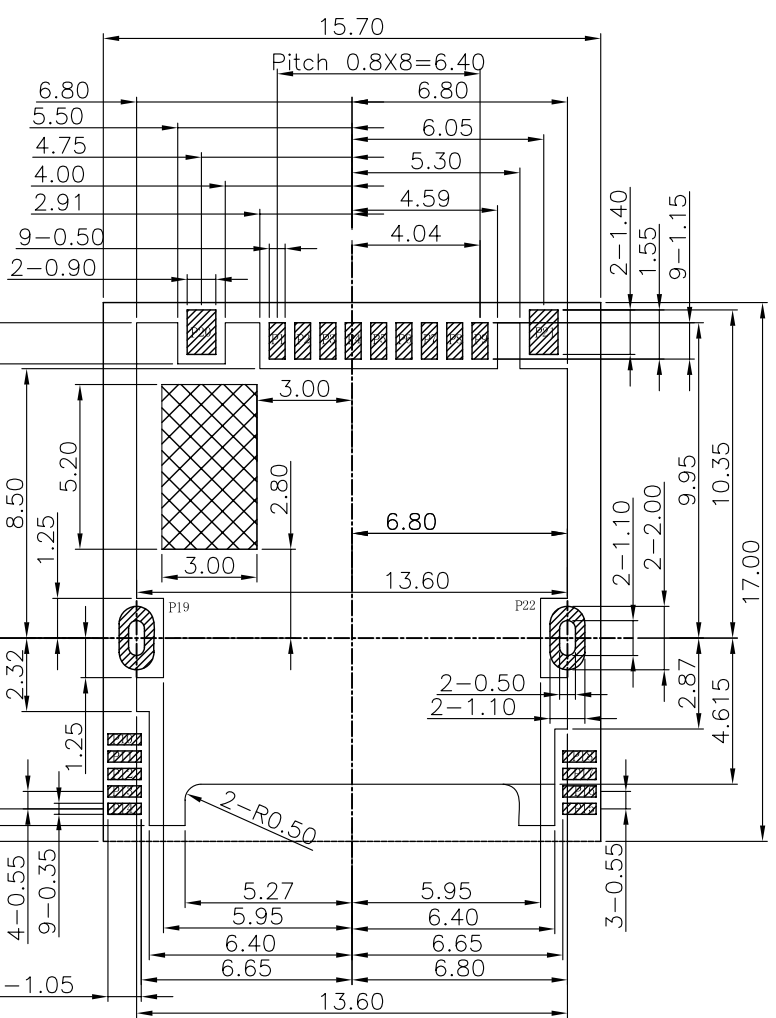


REV.	ECN.NO.	MODIFY.CONTENT
------	---------	----------------

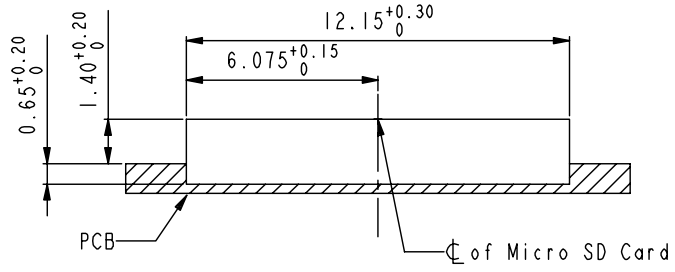
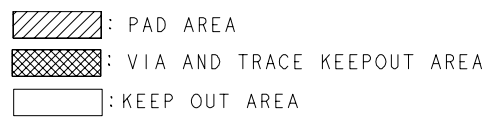


GENERAL TOLERANCE	DWG.NO.	PART.NO.	DRAWN
x.±0.50	MR129-AP401-**	MR129-AP401-**	L.M.J 2018.07.03
x.°±5°	REV.	TITLE	CHECKED
.x±0.25	A	Micro SD4.0 Push H1.5 连接器	
.xx°±2°	SIZE	SHEET	APPROVED
.xx±1°	A4	1 OF 3	

UNIT	mm	SCALE	1:1
 东莞市欧联电子科技有限公司 DONGGUAN OLN ELECTRONICS TECHNOLOGY CO., LTD.			



RECOMMENDED P.C.B LAYOUT
TOP VIEW (TOLERANCE +/-0.05)



RECOMMEND ID DIMENSION

NOTES :

- MATERIAL :
 - HOUSING:LCP UL94 V-0, BLACK COLOR.
 - SHELL: STAINLESS STEEL
 - CONTACT: COPPER ALLOY
- FINISH :
 - CONTACT: GOLD PLATING ON CONTACT AREA, MATTE TIN 80u"MIN ON SOLDERTAIL AREA. 50u" MIN NICKEL PLATING OVERALL.
 - SHELL: 30u" MIN NICKEL PLATING OVERALL.
- ELECTRICAL CHARACTERISTICS:
 - OPERATING VOLTAGE : 100V AC(rms)/DC.
 - CURRENT RATING : 0.5 A.
 - OPERATING TEMPERATURE: -25°C~+85°C.
 - CONTACT RESISTANCE: 100 m OHMS MAX.
 - INSULATION RESISTANCE: 1000M OHMS MIN. AT 250VDC.
 - DIELECTRIC WITHSTANDING VOLTAGE:500 VAC/1MINUTE.

PART.NO.:
MR129-AP401-**

- 42: 功能区镀金1U",锡脚镀雾纯锡至少80U"
- 43: 功能区镀金3U",锡脚镀雾纯锡至少80U"
- 44: 功能区镀金5U",锡脚镀雾纯锡至少80U"
- 45: 功能区镀金10U",锡脚镀雾纯锡至少80U"
- 46: 功能区镀金15U",锡脚镀雾纯锡至少80U"
- 47: 功能区镀金30U",锡脚镀雾纯锡至少80U"

PIN ASSIGNMENT

Pin No.	Pin Assignment
P1	MICRO SD DAT2
P2	MICRO SD CD/DAT3
P3	MICRO SD CMD
P4	MICRO SD VDD1
P5	MICRO SD CLK
P6	MICRO SD VSS
P7	MICRO SD DAT0/RCLK+
P8	MICRO SD DAT1/RCLK-
P9	MICRO SD CD
P10	MICRO SD VDD2
P11	MICRO SD SWIO
P12	MICRO SD VSS
P13	MICRO SD D0+
P14	MICRO SD D0-
P15	MICRO SD VSS
P16	MICRO SD DI-
P17	MICRO SD DI+
P18	MICRO SD VSS
P19	GND
P20	GND
P21	GND
P22	GND

Opening/Close of Switch

	Card Detect Switch
Card Uninsertion	Open
Card Half Insertion	Open
Card Insertion	Close

N/O

Open

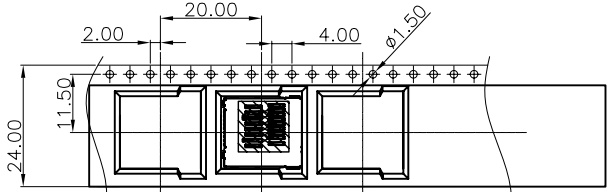
Close

东莞市欧联电子科技有限公司

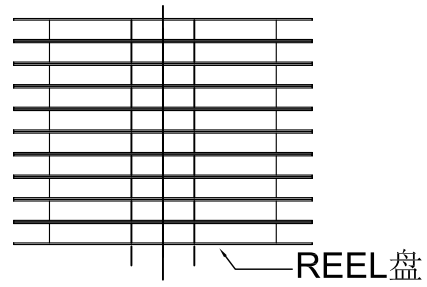
包装作业规范

包装作业图示及说明 (PACKING OPERATION DIAGRAM & INSTRUCTION)

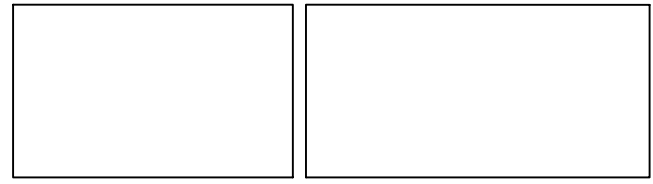
- 一.
- 1) 将成品一一放入REEL包装盘内,依同一方向放入.
 - 2) 包装时,如下图所示.
 - 3) 一个REEL包装盘放置1000个成品.



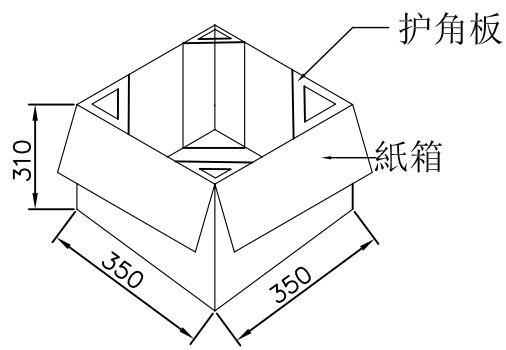
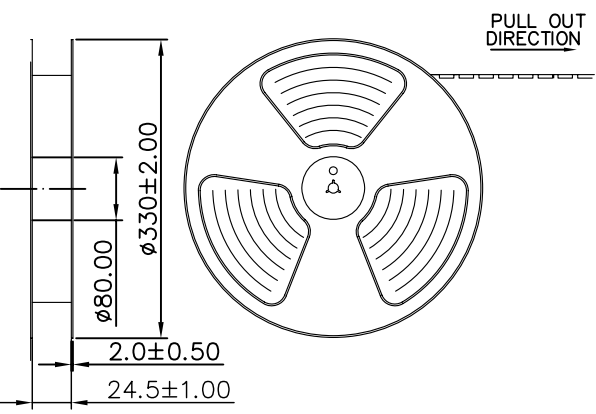
- 三.
- 1) 每箱装 10 盘REEL包装盘.
 - 2) 每箱放置 10000 PCS 的成品.



- 四.
- 1) 用TAPE将纸箱封实.



- 二.
- 1) 装盘前先把前面空10格,然后再开始装盘, 尾端也需空出10格,上带加长200mm.
 - 2) 装满成品的REEL包装盘如下图所示.



備註 (REMARK)

1. 若有未裝滿之零數箱,必須以緩衝材塞滿.

GENERAL TOLERANCE	DWG.NO.	PART.NO.	DRAWN
x.±0.50	MR129-AP401-00	MR129-AP401-***	L.M.J 2018.01.21
x.°±5°	REV.	TITLE	CHECKED
.x.±0.25	A	Micro SD4.0 Push H1.50 疏孔 conn	
.xx.±1°	SIZE	SHEET	APPROVED
	A4	3 OF 3	

UNIT	mm	SCALE	1:1
东莞市欧联电子科技有限公司 DONGGUAN OLN ELECTRONICS TECHNOLOGY CO., LTD.			